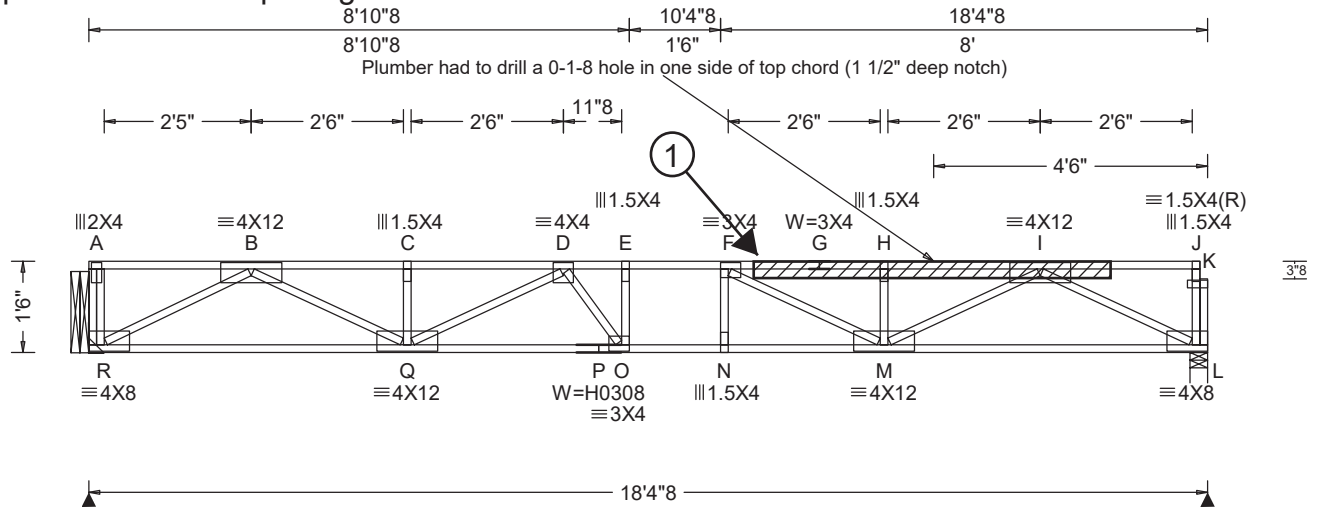


Repair for notched top flange:



Loading Criteria (psf)

TCLL: 40.00
TCDL: 10.00
BCLL: 0.00
BCDL: 10.00
Des Ld: 60.00
NCBCLL: 10.00
Soffit: 2.00
Load Duration: 1.00
Spacing: 24.0"

Wind Criteria

Wind Std: NA
Speed: NA mph
Enclosure: NA
Category: NA
EXP: NA Kzt: NA
Mean Height: NA ft
TCDL: NA psf
BCDL: NA psf
MWFRS Parallel Dist: NA
C&C Dist a: NA ft
Loc. from endwall: NA
I: NA GCpi: NA
Wind Duration: NA

Snow Criteria (Pg,Pf in PSF)

Pg: NA Ct: NA CAT: NA
Pf: NA Ce: NA
Lu: NA Cs: NA
Snow Duration: NA

Code / Misc Criteria

Bldg Code: IBC 2018
TPI Std: 2014
Rep Fac: Yes
FT/RT/PT:20(5)/10(0)/2(0)
Plate Type(s):
WAVE, HS

Defl/CSI Criteria

PP Deflection in loc L/defl L/#
VERT(LL): 0.269 E 799 480
VERT(CL): 0.405 E 532 360
HORZ(LL): 0.039 B - -
HORZ(TL): 0.059 B - -
Creep Factor: 2.0
Max TC CSI: 0.550
Max BC CSI: 0.528
Max Web CSI: 0.536
Mfg Specified Camber:
VIEW Ver: 19.02.02B.0122.16

▲ Maximum Reactions (lbs)

Loc	Gravity			Non-Gravity		
	R+	R-	Rh	Rw	U	RL
R	1106	-	-	-	-	-
L	1086	-	-	-	-	-
R	Brg Width = -			Min Req = -		
L	Brg Width = 3.5			Min Req = 1.5		

Bearing L is a rigid surface.

Maximum Top Chord Forces Per Ply (lbs)

Chords	Tens.Comp.	Chords	Tens. Comp.
A - B	3 0	F - G	0 -2918
B - C	0 -2872	G - H	0 -2918
C - D	0 -2872	H - I	0 -2918
D - E	0 -3474	I - J	2 0
E - F	0 -3476		

Lumber
Top chord: 4x2 DF-L(N) #1/#2;
Bot chord: 4x2 DF-L 2100f-1.8E;
Webs: 4x2 DF-L Stud;

Loading
Bottom chord checked for 10.00 psf non-concurrent live load.

- ① Glue in place 2x4 scab 1-side, min. 6' long, centered at the notch location, installed on the side opposite the notch. Nail 16d @ 6" O/C plus 1-16d in each web.

Maximum Bot Chord Forces Per Ply (lbs)

Chords	Tens.Comp.	Chords	Tens. Comp.
R - Q	1645 0	O - N	3476 0
Q - P	3427 0	N - M	3474 0
P - O	3427 0	M - L	1729 0

Maximum Web Forces Per Ply (lbs)

Webs	Tens.Comp.	Webs	Tens. Comp.
A - R	0 -127	F - M	0 -810
R - B	0 -1896	H - M	2 -288
B - Q	1392 0	M - I	1349 0
C - Q	0 -254	I - L	0 -1963
Q - D	0 -629	J - K	0 -105
D - O	366 -211	L - K	0 -13
O - E	117 -171	K - L	0 -114
N - F	131 -71		

10d/16d = Min. 0.131 x 3" gun nail

CERTIFICATION IS FOR DESIGN CHECK OR REPAIR ONLY. EXISTING LOADS, DIMENSIONS AND FIELD CONDITIONS INFO WAS PROVIDED BY OTHERS.

REPAIR LUMBER TO BE DFL OR SP #2 OR BETTER

For GLUE use Construction Grade Adhesive, ASTM D-3498, similar to Builder's Choice 490 Subfloor & Construction adhesive, or Gorilla Wood Glue conforming to ASTM D-4236. Spread with trowel for full coverage.



Digitally sealed
Oct. 5, 2020