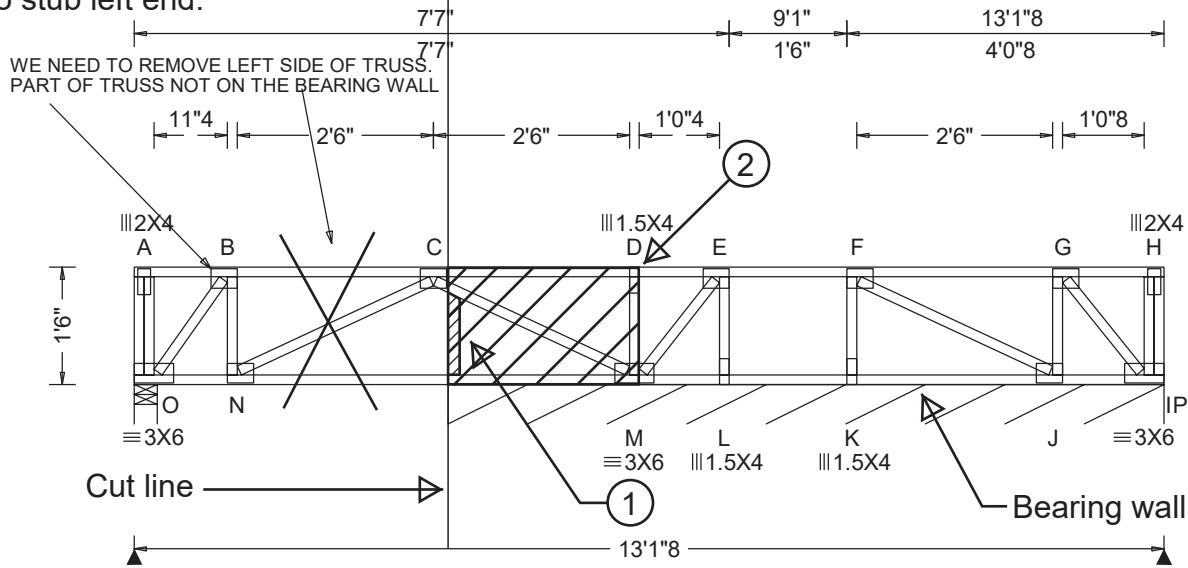


Repair to stub left end:



Loading Criteria (psf)

TCLL: 40.00
TCDL: 10.00
BCLL: 0.00
BCDL: 10.00
Des Ld: 60.00
NCBCLL: 10.00
Soffit: 2.00
Load Duration: 1.00
Spacing: 24.0 "

Wind Criteria

Wind Std: NA
Speed: NA mph
Enclosure: NA
Category: NA
EXP: NA Kzt: NA
Mean Height: NA ft
TCDL: NA psf
BCDL: NA psf
MWFERS Parallel Dist: NA
C&C Dist a: NA ft
Loc. from endwall: NA
I: NA GCpi: NA
Wind Duration: NA

Snow Criteria (Pg,Pf in PSF)

Pg: NA Ct: NA CAT: NA
Pf: NA Ce: NA
Lu: NA Cs: NA
Snow Duration: NA

Code / Misc Criteria

Bldg Code: IBC 2018
TPI Std: 2014
Rep Fac: Yes
FT/RT/PT:20(5)/10(0)/2(0)
Plate Type(s):
WAVE

Defl/CSI Criteria

PP Deflection in loc L/defl L/#
VERT(LL): 0.012 C 999 480
VERT(CL): 0.018 C 999 360
HORZ(LL): 0.002 I - -
HORZ(TL): 0.003 B - -
Creep Factor: 2.0
Max TC CSI: 0.330
Max BC CSI: 0.181
Max Web CSI: 0.112
Mfg Specified Camber:
VIEW Ver: 18.02.01A.0205.20

▲ Maximum Reactions (lbs), or *=PLF

Loc	Gravity			Non-Gravity		
	R+	R-	Rh	Rw	U	RL
O	364	-	-	-	-	-
P*	133	-	-	-	-	-
O	Brg Width = 3.5			Min Req = 1.5		
P	Brg Width = 109			Min Req = -		

Bearings O & C are a rigid surface.

Maximum Top Chord Forces Per Ply (lbs)

Chords	Tens.	Comp.	Chords	Tens.	Comp.
A - B	3	0	E - F	9	-34
B - C	0	-225	F - G	2	-22
C - D	16	-2	G - H	3	0
D - E	16	-2			

Lumber
Top chord: 4x2 DF-L(N) #1/#2;
Bot chord: 4x2 DF-L(N) #1/#2;
Webs: 4x2 DF-L Stud;

- ① Cut-in 4x2 vertical, snug fit.
 - ② Min. 7/16" OSB 1-side, 18" high, 30" wide.
- Nail 8d @ 4" O/C in all members.

Plating Notes
All plates are 3X4 except as noted.

Loading
Bottom chord checked for 10.00 psf non-concurrent live load.

Additional Notes
See detail STRBRIBR1014 for bracing and bridging recommendations.
Webs are square cut except dbl diagonals or as otherwise shown.
Truss must be installed as shown with top chord up.

Maximum Bot Chord Forces Per Ply (lbs)

Chords	Tens.	Comp.	Chords	Tens.	Comp.
O - N	216	0	L - K	34	-9
N - M	714	0	K - J	45	-6
M - L	38	-10	J - I	38	0

Maximum Web Forces Per Ply (lbs)

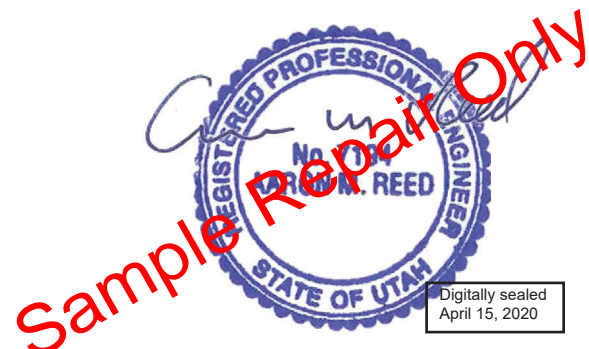
Webs	Tens.	Comp.	Webs	Tens.	Comp.
A - O	0	-33	E - L	26	-76
O - B	0	-388	K - F	0	-236
B - N	104	0	F - J	5	-26
N - C	0	-151	J - G	0	-179
C - M	0	-422	G - I	0	-68
D - M	0	-209	I - H	0	-18
M - E	0	-58	H - I	0	-21

8d = Min. 0.113 x 2-3/8" gun nail

REPAIR LUMBER TO BE DFL, SPF or SP #2 OR BETTER

Gussets specified as OSB (Oriented Strand Board) can be substituted with other Wood Structural Panel material such as plywood.

CERTIFICATION IS FOR DESIGN CHECK OR REPAIR ONLY. EXISTING LOADS, DIMENSIONS AND FIELD CONDITIONS INFO WAS PROVIDED BY OTHERS.



Digitally sealed
April 15, 2020